

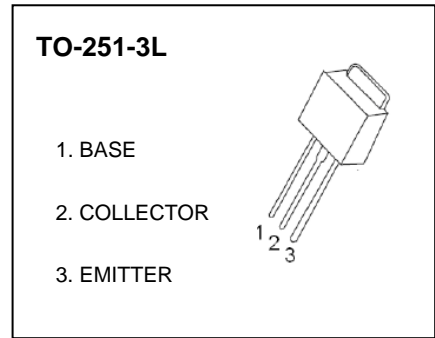


TO-251-3L Plastic-Encapsulate Transistors

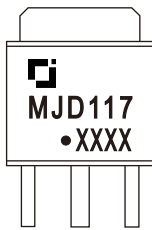
MJD117 TRANSISTOR (PNP)

FEATURES

- High DC Current Gain
- Low Collector-Emitter Saturation Voltage
- Complementary to MJD117

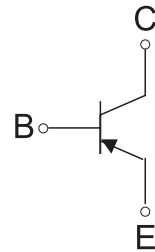


MARKING



MJD117=Device code
 Solid dot=Green moldinn compound device,
 if none,the normal device
 XXXX=Code

Equivalent Circuit



MAXIMUM RATINGS (T_a=25°C unless otherwise noted)

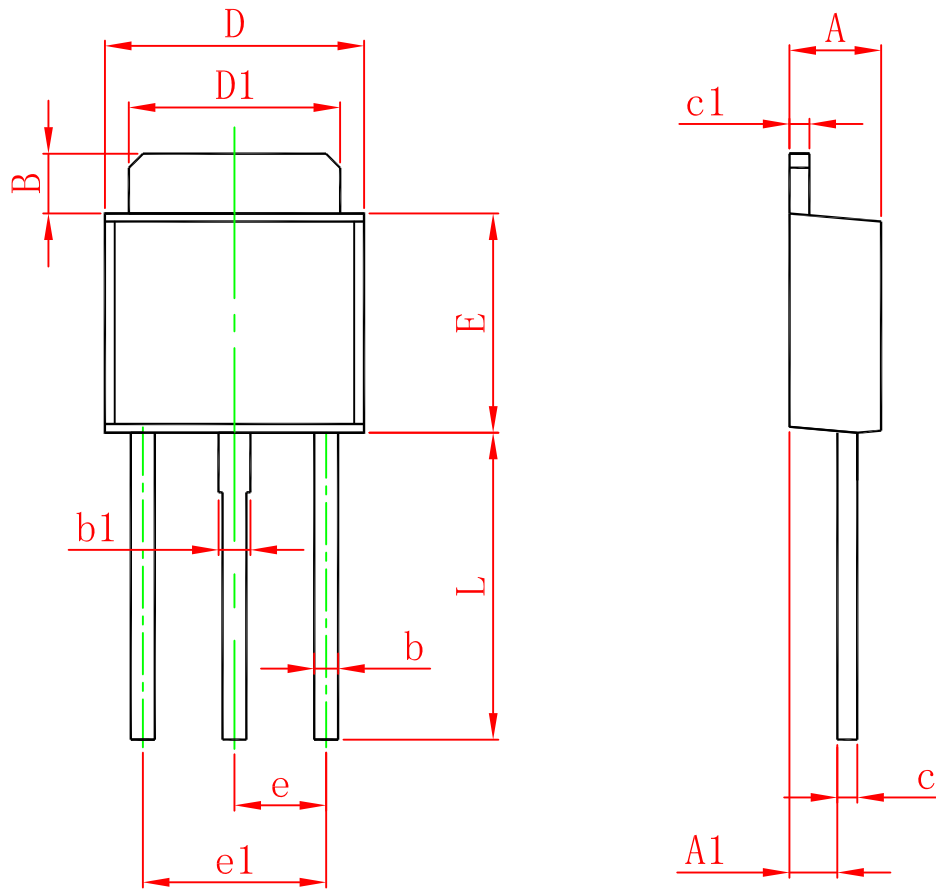
Symbol	Parameter	Value	Unit
V _{CB0}	Collector-Base Voltage	-100	V
V _{CEO}	Collector-Emitter Voltage	-100	V
V _{EBO}	Emitter-Base Voltage	-5	V
I _C	Collector Current	-2	A
P _C	Collector Power Dissipation	1.5	W
R _{θJA}	Thermal Resistance From Junction To Ambient	83.3	°C/W
T _J ,T _{stg}	Operation Junction and Storage Temperature Range	-55~+150	°C

ELECTRICAL CHARACTERISTICS ($T_a=25^{\circ}\text{C}$ unless otherwise specified)

Parameter	Symbol	Test conditions	Min	Typ	Max	Unit
Collector-base breakdown voltage	$V_{(BR)CBO}$	$I_C=-1\text{mA}, I_E=0$	-100			V
Collector-emitter breakdown voltage	$V_{(BR)CEO}^*$	$I_C=-30\text{mA}, I_B=0$	-100			V
Emitter-base breakdown voltage	$V_{(BR)EBO}$	$I_E=-5\text{mA}, I_C=0$	-5			V
Collector cut-off current	I_{CBO}	$V_{CB}=-80\text{V}, I_E=0$			-10	μA
Collector cut-off current	I_{CEO}	$V_{CE}=-80\text{V}, I_B=0$			-10	μA
Emitter cut-off current	I_{EBO}	$V_{EB}=-5\text{V}, I_C=0$			-2	mA
DC current gain	$h_{FE(1)}^*$	$V_{CE}=-3\text{V}, I_C=-0.5\text{A}$	500			
	$h_{FE(2)}^*$	$V_{CE}=-3\text{V}, I_C=-2\text{A}$	1000		12000	
	$h_{FE(3)}^*$	$V_{CE}=-3\text{V}, I_C=-4\text{A}$	200			
Collector-emitter saturation voltage	$V_{CE(sat)}^*$	$I_C=-2\text{A}, I_B=-8\text{mA}$			-2	V
		$I_C=-4\text{A}, I_B=-40\text{mA}$			-3	V
Base-emitter saturation voltage	$V_{BE(sat)}^*$	$I_C=-4\text{A}, I_B=-40\text{mA}$			-4	V
Base-emitter voltage	V_{BE}^*	$V_{CE}=-3\text{V}, I_C=-2\text{A}$			-2.8	V
Collector output capacitance	C_{ob}	$V_{CB}=-10\text{V}, I_E=0, f=0.1\text{MHz}$			200	pF
Transition frequency	f_T	$V_{CE}=-10\text{V}, I_C=-0.75\text{A}, f=1\text{MHz}$	25			MHz

*Pulse test

TO-251-3L Package Outline Dimensions



Symbol	Dimensions In Millimeters		Dimensions In Inches	
	Min.	Max.	Min.	Max.
A	2.200	2.400	0.087	0.094
A1	1.050	1.350	0.042	0.054
B	1.350	1.650	0.053	0.065
b	0.500	0.700	0.020	0.028
b1	0.700	0.900	0.028	0.035
c	0.430	0.580	0.017	0.023
c1	0.430	0.580	0.017	0.023
D	6.350	6.650	0.250	0.262
D1	5.200	5.400	0.205	0.213
E	5.400	5.700	0.213	0.224
e	2.300 TYP.		0.091 TYP.	
e1	4.500	4.700	0.177	0.185
L	7.500	7.900	0.295	0.311